

Serious Vent System Protection Against Bird and Squirrel Entry

The DEFENDER

Premium Vent Cover



Defense Against Squirrel and Bird Entry

Model DFR8

Superior Pest Protection



Birds and squirrels can be persistent in making a home inside your house. The Defender keeps them out.

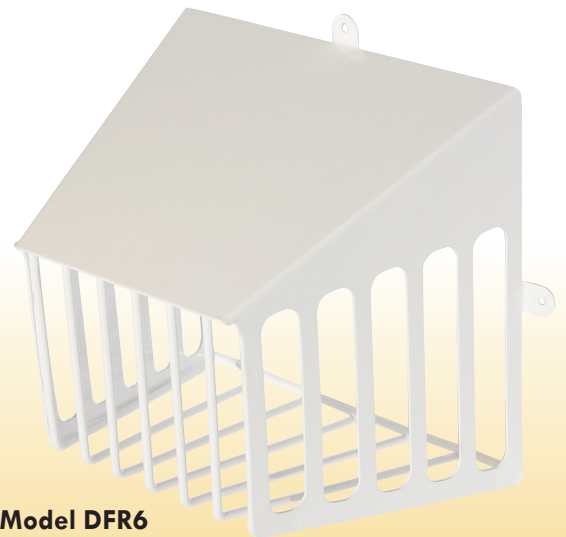
Lasting Performance

Zinc coated steel that is also powder coated delivers lasting protection for existing terminations. Vertical bars keep creatures out while minimizing lint buildup and making it easy to clean.

Two sizes—with inner dimensions of 6.5, and 8 inches—allow for an exact fit and universal application so the vent termination is aesthetically pleasing. Extra fastener holes make installation quick and easy: it can be attached with as few as two screws and is easy to remove for vent cleaning.



- Provides an Extra Level of Weather Protection
- Deters Bird and Squirrel Entry
- Helps Hide Unsightly Vents



Model DFR6

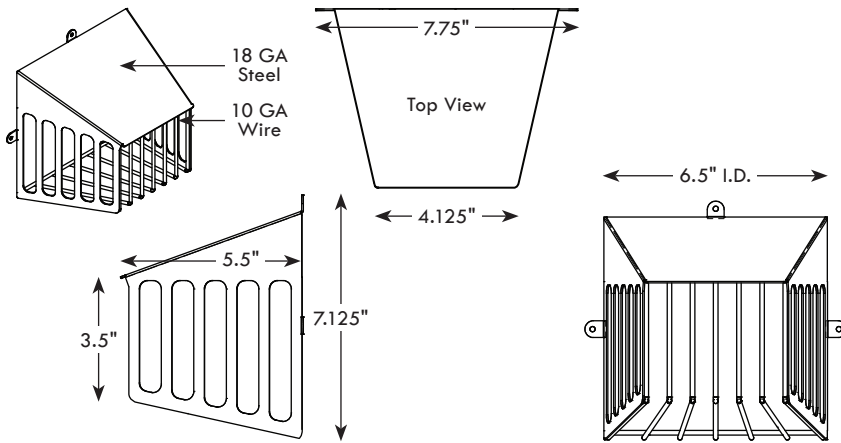
Select the best option for your dryer exhaust termination when intruders are a problem and you still want free flowing exhaust that's easy to clean.



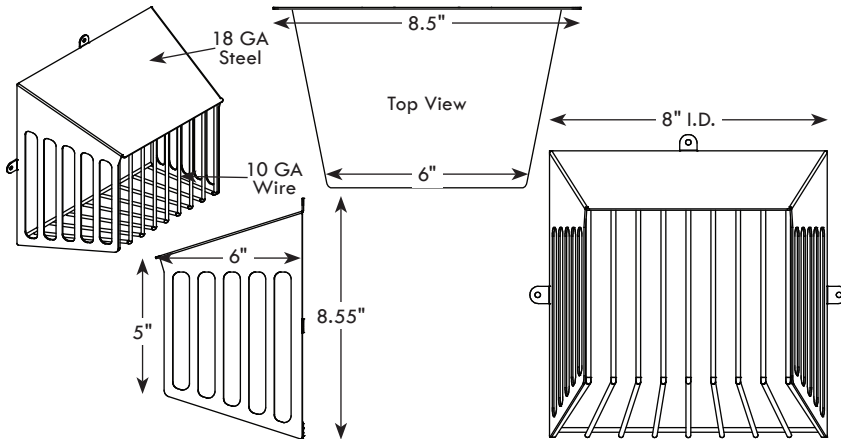
Advanced Dryer Vent By Vent Vision

(888) 875-8368 (VENT)

The Defender Model DFR6



The Defender Model DFR8



Model	Applications
DFR6	6.5" inner dimension vent cover for small sized exhaust terminations
DFR8	8" inner dimension vent cover for medium sized exhaust terminations

Performance Data

For Use:

- Extra Layer of Pest Protection for Exhaust Systems
- Complies with IMC 504.4 & IRC 1502.3

Material:

- 18 gauge zinc & powder coated steel hood
- 10 gauge zinc & powder coated steel bars

US Patent 8,845,405

General Information

Benefits:

- Deters Bird and Rodent Entry
- Hides Unsightly Vents
- Works on all Siding Types
- Extra Weather Protection
- Easy Installation and Removal for Cleaning

Features:

- Heavy gauge zinc & powder coated steel
- Sized for Universal Applications
- Extra Fastener Holes for Easy Installation

Distributed By

Advanced Dryer Vent By Vent Vision
 (888)-875-8368 (VENT)
 2 Elizabeth Pl
 Lake Hopatcong NJ 07849

 **Made in the USA**

U.S. Patent 8,845,405